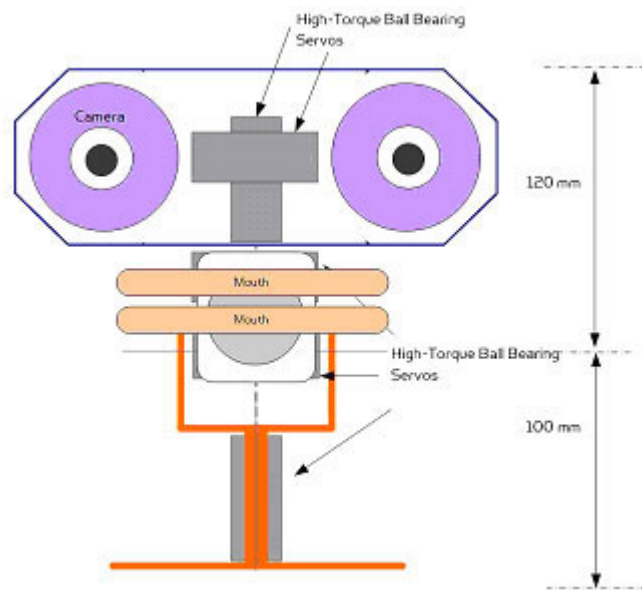




**Animated Head System w/ Camera, Servo & Multimedia Controller Board and WiFi**  
 - [P/N: WHW8040]

This WHW8040 is fully assembled and is ready to use. It comes with 5 servos, Camera module[P/N:MCI3908], Multimedia Controller[P/N:PMB5010], Servo Controller[P/N:PMS5000], WiFi Module[P/N:WFS802b] and WiRobot Software.

- Measurement



### Included Main Modules:

WHD8010	Animated Head System	1
PMB5010	Multimedia Controller	1
PMS5000	Servo Controller	1
WFS802b	WiFi 802.11b serial module with antenna	1
MCI3908	Color Image Module with Camera	1
BAS8100	80hm 1W Speaker	1
MAC5310	Audio Codec and Audio Power Amplifier Module	1
SAM5247	Uni-directional Electret Microphone	1
MCR3210	RS232 Interface Module	1
CCR2150	RS232 Cross-over Serial Cable	1

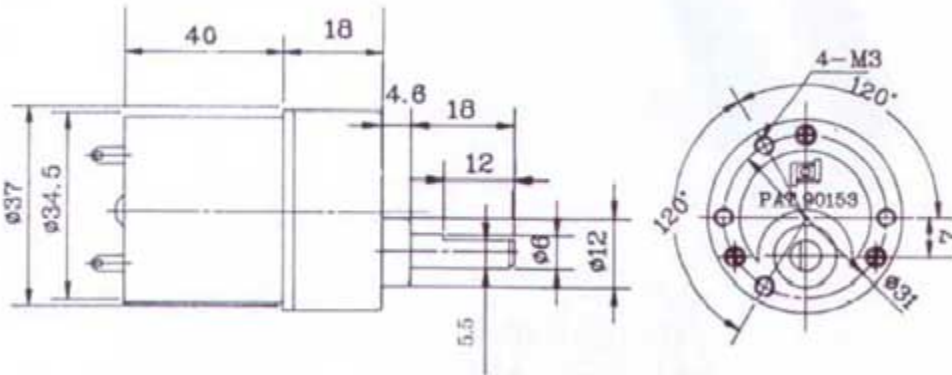




## DC 12V 50:1 Gearhead Motor - [P/N: MOT120R]

This is a compact, small and powerful gearhead motor, great for drive power for smaller bots. This is the motor that powers the X80

- Motor Dimensions (mm):



### Features:

- 12V Permanent Magnet
- All metal gears
- Weight: 7.26 oz (.454 lbs)
- 120 RPM
- 50:1 gear reduction
- Stall torque 320 oz-in
- Rated torque at max efficiency 83 oz-in
- Speed under rated load 100rpm
- Stall Current 3.3 Amps
- 78% efficiency
- Current at rated load 730 mA
- No Load current 115 mA



ADVANCE MICROLINK SDN BHD

Tel : 603-62771012 Fax : 603-62779011 email : [sales@amlsb.com](mailto:sales@amlsb.com), <http://www.amlsb.com>



## DC Motor Driver Module with Position and Current Feedback

- [P/N: MDM5253]

The MDM5253 DC Motor Driver Module with Position and Current Feedback is a three-channel H-bridge switching power amplifier board. It can be directly controlled by motion controller's logic level PWM driving signal at a frequency up to 20 KHz. For the three independent channels, the MDM5253 also contains the built-in current feedback and connectors for position sensors such as precise potentiometers. Each channel is able to drive inductive DC load with current up to 5.0 A with the operating voltage ranging from 5.0 V to 28.0 V.

### Features:

- 5.0 V to 28.0 V operation voltage
- Up to 5.0 A inductive DC load capability
- 5.0 V TTL/CMOS compatible Inputs
- PWM frequencies up to 20 kHz
- Automatic PWM over-current limiting
- Output short circuit protection
- Over-temperature output current reduction with shutdown
- Under-voltage shutdown
- Analog output current feedback
- Connectors for angular position feedbacks
- Directly plug-on to the PMS5005 sensing and motion controller board



ADVANCE MICROLINK SDN BHD

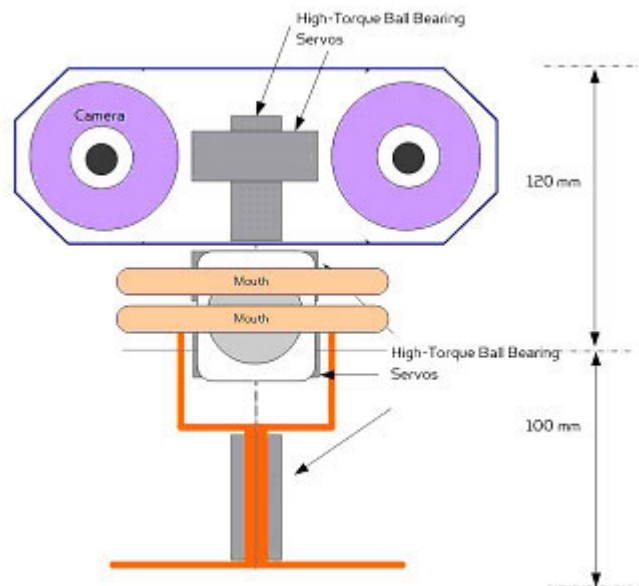
Tel : 603-62771012 Fax : 603-62779011 email : [sales@amlsb.com](mailto:sales@amlsb.com), <http://www.amlsb.com>



**Animated Head System With Camera,  
Servo & Multimedia Controller Board**  
- [P/N: WHA8030]

This WHA8030 is fully assembled and is ready to use. It comes with 5 servos, Camera module[P/N:MCI3908], Multimedia Controller[P/N:PMB5010], Seror Controller[P/N: PMS5000] and Robot Software.

- Measurement



### Included Main Modules:

WHD8010	Animated Head System	1
PMB5010	Multimedia Controller	1
PMS5000	Servo Controller	1
MCI3908	Color Image Module with Camera	1
BAS8100	80hm 1W Speaker	1
MAC5310	Audio Codec and Audio Power Amplifier Module	1
SAM5247	Uni-directional Electret Microphone	1
MCR3210	RS232 Interface Module	1
CCR2150	RS232 Cross-over Serial Cable	1



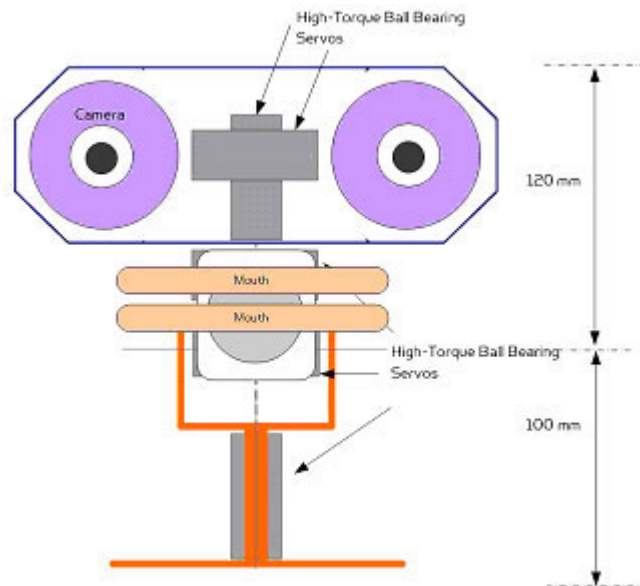
## Animated Head System With Camera and Multimedia Controller Board

- [P/N: WHC8020]



This WHC8020 is fully assembled and is ready to use. It comes with 5 servos, Camera module [P/N: MCI3908], Multimedia Controller [P/N: PMB5010] and WiRobot Software.

- Measurement



### Included Main Modules:



ADVANCE MICROLINK SDN BHD

Tel : 603-62771012 Fax : 603-62779011 email : [sales@amlsb.com](mailto:sales@amlsb.com), <http://www.amlsb.com>

WHD8010	Animated Head System	1
PMB5010	Multimedia Controller	1
MCI3908	Color Image Module with Camera	1
BAS8100	80hm 1W Speaker	1
MAC5310	Audio Codec and Audio Power Amplifier Module	1
SAM5247	Uni-directional Electret Microphone	1
MCR3210	RS232 Interface Module	1
CCR2150	RS232 Cross-over Serial Cable	1



**ADVANCE MICROLINK SDN BHD**

Tel : 603-62771012 Fax : 603-62779011 email : [sales@amlsb.com](mailto:sales@amlsb.com), <http://www.amlsb.com>

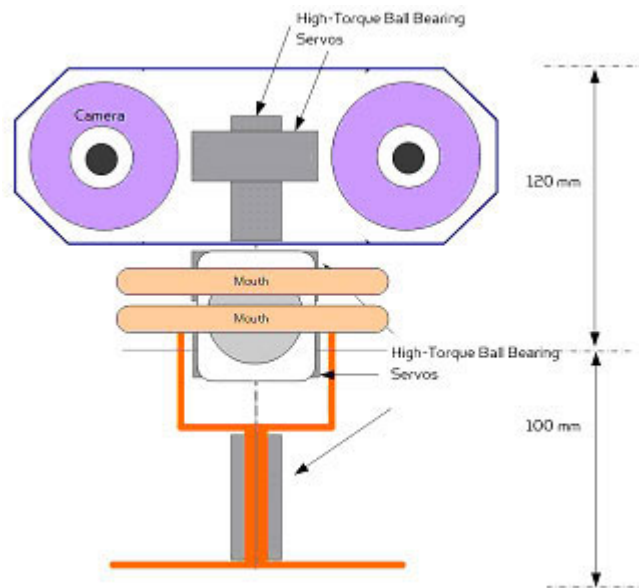
## Animated Head System (Assembled Mechanical Construction)

- [P/N: WHD8010]



This WHD8010 is fully assembled and is ready to use. It comes with 5 servos.

- Measurement



**Note:** without Camera and Controller Board in this product, WHC8020 comes with Camera and Controller Board.

